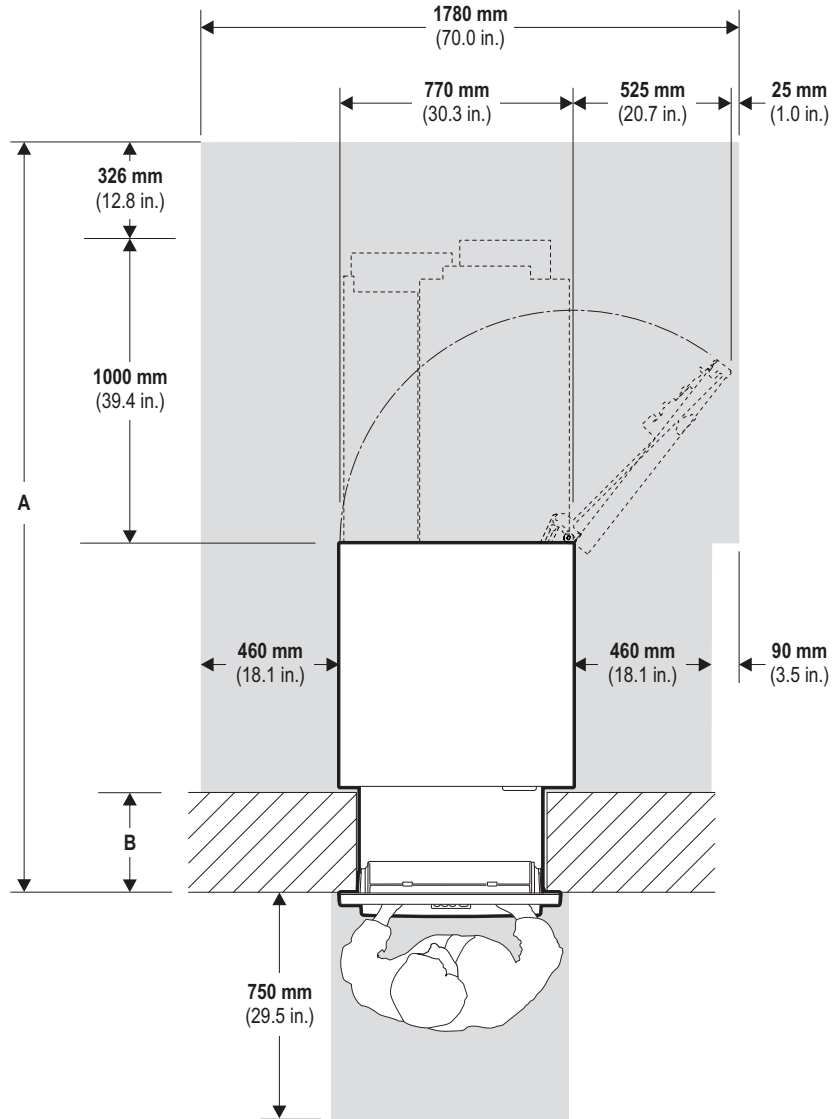


Single ATM Optimum Clearance

The illustration below shows the optimum clearance dimensions for a walk-up or drive-up ATM configured with a UL or CEN security enclosure.



	Walk-Up - Standard, Advert or Open Advert Collar		Walk-up with ADA Collar		Drive-Up	
	Std. Sleeve	Short Sleeve	Std. Sleeve	Short Sleeve	Std. Sleeve	Short Sleeve
A	2481 mm (97.7 in.)	2368 mm (93.2 in.)	2427 mm (95.6 in.)	2314 mm (91.1 in.)	2427 mm (95.5 in.)	2313 mm (91.1 in.)
B	330 mm (13.0 in.)	203 mm (8.0 in.)	292 mm (11.5 in.)	178 mm (7.0 in.)	287 mm (11.3 in.)	165 mm (6.5 in.)